

## 1.2.2 DC Filter Capacitors DCL series

### Applications :

The DCL capacitor is specifically designed for DC filtering, DC Link and low reactive power applications.

### Properties :

Low ESR, Low Inductance, High Insulation Resistance, high ripple current capability, flame Retardant Construction with UL94-V0 plastic case and epoxy rein and Easy Installation

### Electrical Connections :

**DCL-AB** : M6 / M8 threaded bolts

**DCL-AN** : threaded female nuts

### Electrical Characteristics :

**Capacitance range** : 40uF - 150uF

**Capacitance Tolerance** : +/-5%; +/-10%

**Rated Voltage** : 800 ~1450Vdc

**Ripple Current** up to 80A

**Equivalent Series Resistance (ESR)** : measured at 23C 100kHz

**Dissipation factor (DF)** : <0.1% 1KHz) at 23C

**Testing Voltage** : Terminal to Terminal : 1.5 x rated voltage 10sec 23C

Terminal to Case : 4000Vac 60s 23C

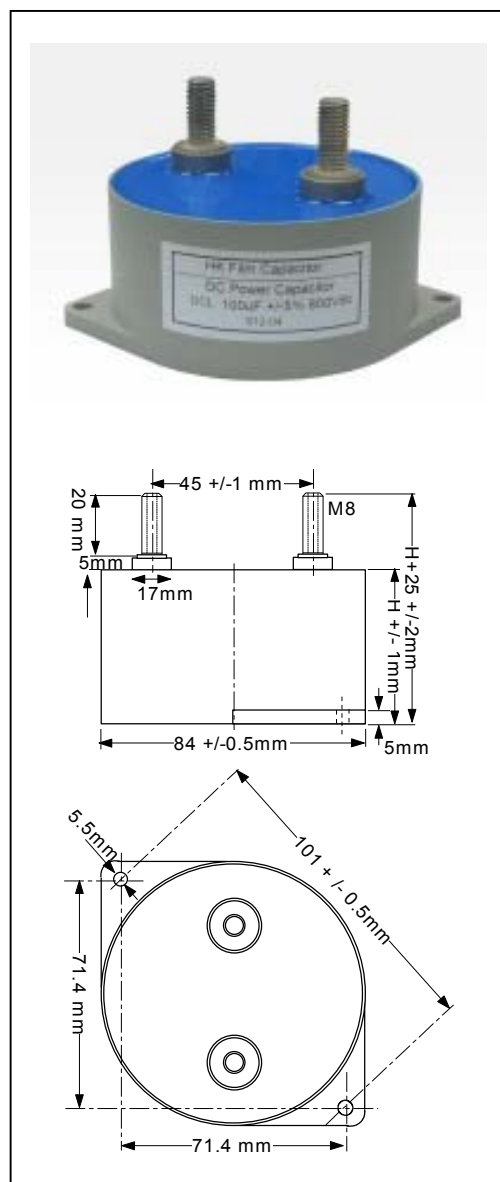
**Pulse Voltage rise & fall time dV/dt** : detail information available on request

**Rated Temperature** : -25C to +85C

### Options :

**Thermocouple** can be build-in :

- capacitor internal temperature can be measured
- output temperature signal can be used as one of reference signals in the circuit and trigger other function



### Specification and Size :

Capacitance uF	Voltage Vdc	H mm	dv/dt v/us	Peak Current I <sub>peak</sub> A	ESL nH	ESR (mohm) 10KHz	Irms 65C
68	800	44	40	2720	20	0.6	80
100	800	54	30	2800	30	0.8	80
140	800	67	20	2800	40	1.1	80
150	800	67	20	3000	40	1.2	80
47	1000	44	55	2585	20	0.7	76
68	1000	54	40	2720	30	1.0	65
100	1000	67	30	3000	40	1.1	65
47	1250	54	55	2585	30	0.9	50
70	1250	67	35	2450	40	1.1	50
40	1450	54	70	2800	30	0.8	50
60	1450	67	45	2700	40	0.9	50

For any Capacitance value, Voltage, ripple current is not listed above, please feel free to contact us. We might have a direct replacement for your need.