

**2. High Voltage AC Snubber Capacitors :**

**STP-01Rxx series**

**Applications :**

High Voltage SCR Snubber, Thyristor controlled rectifier circuits, High Current Snubber circuit, Reduce or eliminate voltage or current spikes, Harmonic Filter, Inverter, Converter, AC Filter

**Properties :**

Low Inductance, Low ESR, Excellent Frequency Response. Current Rating, High Pulse Current Ratings (dv/dt), High Voltage Capabilities, High Insulation Resistance, Flame Retardant Construction, Easy Installation

**Electrical Characteristics :** ( can be customized )

**STP-01RFT** – with a Screw Bolt and a Tab-Terminal 6.35 x 0.8mm

**STP-01RAN** – with M6 Screw Nut + Screw Thread

**STP-01RML** – with M6 Screw Thread + Mounting M8 / M12 Screw Thread

**STP-01RMLL** – with M6 Screw Thread + Mounting M8 / M12 Screw Thread

**Capacitance range :** 0.1uF – 3.3uF

**Rated Voltage :** 1000Vac – 5000Vac

**Peak Current :** up to 3000App

**Ripple RMS Current :** 7A - 18A

**Testing Voltage Terminal to Terminal :** Rated Voltage x 1.5UN  
10s

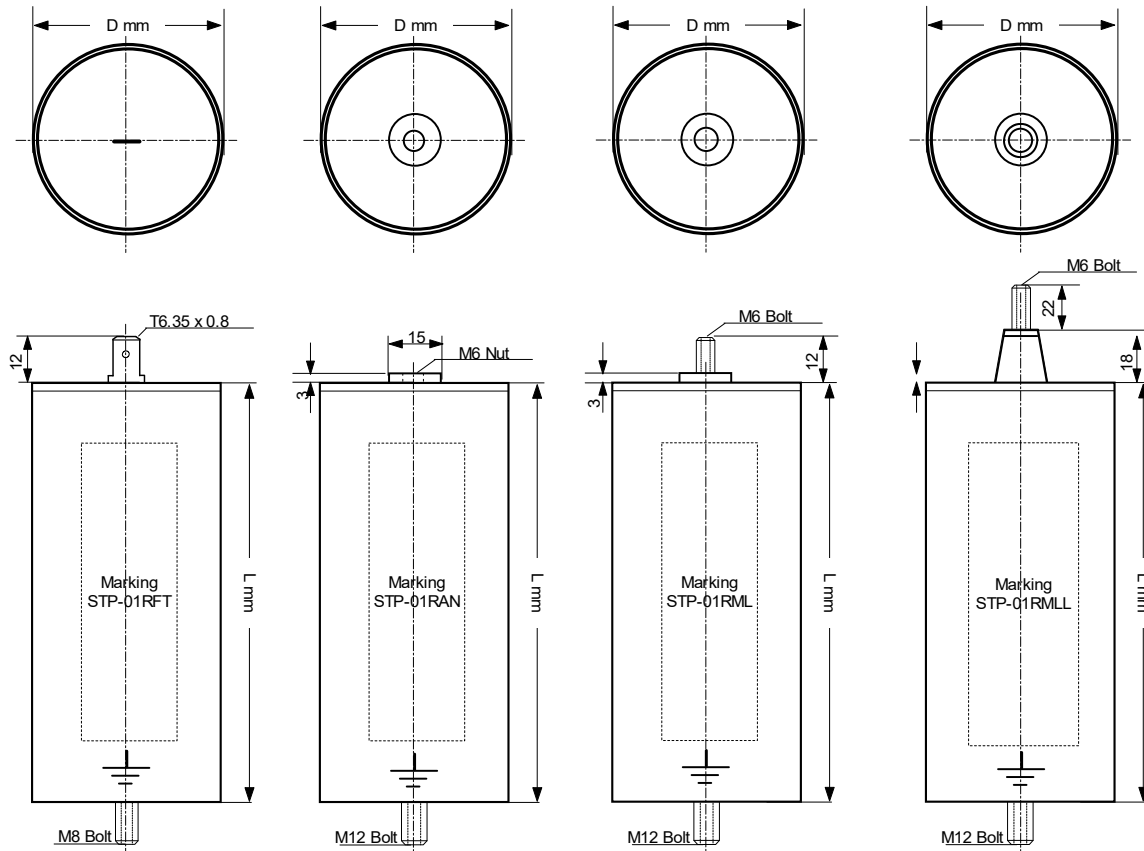
**Testing Voltage Terminal to Case :** 5,000Vac 10s 50Hz +23C

**Insulation Resistance :** 250Vdc +23C >= 50,000Mohm

**Reference Standard :** IEC61071

**Operate Temperature :** +70C

Ultra-Low Leakage version is available on request



**Specifications and Size :**

**STP-01Rxx 1000Vac**

(x is referring the configuration)

| P/N :              | Cn<br>uF | Diameter<br>D mm | Length<br>L mm | dv/dt<br>v/us | Peak<br>Current<br>I <sub>p-p</sub> A | ESL<br>nH | ESR<br>(mohm)<br>100KHz | Max. RMS<br>70C | Configuration<br>Mounting |
|--------------------|----------|------------------|----------------|---------------|---------------------------------------|-----------|-------------------------|-----------------|---------------------------|
| STP-01Rxx104K1000A | 0.1      | 40               | 73             | 665           | 67                                    | 45        | 10.0                    | 7               | M8                        |
| STP-01Rxx224K1000A | 0.22     | 40               | 73             | 665           | 146                                   | 45        | 9.0                     | 10              | M8                        |
| STP-01Rxx334K1000A | 0.33     | 40               | 73             | 665           | 219                                   | 45        | 8.5                     | 12              | M8                        |
| STP-01Rxx474K1000A | 0.47     | 40               | 73             | 665           | 313                                   | 45        | 8.0                     | 16              | M8                        |
| STP-01Rxx684K1000A | 0.68     | 45               | 73             | 665           | 452                                   | 45        | 7.5                     | 18              | M8                        |
| STP-01Rxx105K1000A | 1        | 45               | 128            | 370           | 370                                   | 75        | 7.0                     | 18              | M8                        |
| STP-01Rxx125K1000A | 1.2      | 45               | 128            | 370           | 444                                   | 75        | 7.0                     | 18              | M8                        |
| STP-01Rxx155K1000A | 1.5      | 45               | 128            | 370           | 555                                   | 75        | 6.5                     | 18              | M8                        |
| STP-01Rxx225K1000A | 2.2      | 65               | 116            | 370           | 814                                   | 70        | 6.5                     | 18              | M12                       |
| STP-01Rxx275K1000A | 2.7      | 65               | 116            | 370           | 999                                   | 70        | 6.5                     | 18              | M12                       |
| STP-01Rxx305K1000A | 3        | 65               | 116            | 370           | 1110                                  | 70        | 6.0                     | 18              | M12                       |
| STP-01Rxx335K1000A | 3.3      | 65               | 116            | 370           | 1221                                  | 70        | 5.5                     | 18              | M12                       |

**STP-01Rxx 1400Vac**

(x is referring the configuration)

| P/N :              | Cn<br>uF | Diameter<br>D mm | Length<br>L mm | dv/dt<br>v/us | Peak<br>Current<br>I <sub>p-p</sub> A | ESL<br>nH | ESR<br>(mohm)<br>100KHz | Max. RMS<br>70C | Configuration<br>Mounting |
|--------------------|----------|------------------|----------------|---------------|---------------------------------------|-----------|-------------------------|-----------------|---------------------------|
| STP-01Rxx104K1400A | 0.1      | 40               | 73             | 1110          | 111                                   | 45        | 10.0                    | 7               | M8                        |
| STP-01Rxx224K1400A | 0.22     | 40               | 73             | 1110          | 244                                   | 45        | 9.0                     | 10              | M8                        |
| STP-01Rxx334K1400A | 0.33     | 40               | 73             | 1110          | 366                                   | 45        | 8.5                     | 12              | M8                        |
| STP-01Rxx474K1400A | 0.47     | 40               | 73             | 1110          | 522                                   | 45        | 8.0                     | 16              | M8                        |
| STP-01Rxx684K1400A | 0.68     | 45               | 128            | 1110          | 755                                   | 45        | 7.5                     | 18              | M8                        |
| STP-01Rxx105K1400A | 1        | 45               | 128            | 610           | 610                                   | 75        | 7.0                     | 18              | M8                        |
| STP-01Rxx125K1400A | 1.2      | 45               | 128            | 610           | 732                                   | 75        | 7.0                     | 18              | M8                        |
| STP-01Rxx155K1400A | 1.5      | 65               | 116            | 610           | 915                                   | 75        | 6.5                     | 18              | M12                       |
| STP-01Rxx225K1400A | 2.2      | 65               | 116            | 610           | 1342                                  | 70        | 6.5                     | 18              | M12                       |
| STP-01Rxx255K1400A | 2.5      | 65               | 116            | 610           | 1525                                  | 70        | 6.0                     | 18              | M12                       |
| STP-01Rxx275K1400A | 2.7      | 65               | 116            | 610           | 1647                                  | 70        | 5.5                     | 18              | M12                       |

**STP-01Rxx 1800Vac**

(x is referring the configuration)

| P/N :              | Cn<br>uF | Diameter<br>D mm | Length<br>L mm | dv/dt<br>v/us | Peak<br>Current<br>I <sub>p-p</sub> A | ESL<br>nH | ESR<br>(mohm)<br>100KHz | Max. RMS<br>70C | Configuration<br>Mounting |
|--------------------|----------|------------------|----------------|---------------|---------------------------------------|-----------|-------------------------|-----------------|---------------------------|
| STP-01Rxx104K1800A | 0.1      | 45               | 128            | 927           | 93                                    | 75        | 10.0                    | 8               | M8                        |
| STP-01Rxx224K1800A | 0.22     | 45               | 128            | 927           | 204                                   | 75        | 9.0                     | 15              | M8                        |
| STP-01Rxx334K1800A | 0.33     | 45               | 128            | 927           | 306                                   | 75        | 8.5                     | 15              | M8                        |
| STP-01Rxx474K1800A | 0.47     | 45               | 128            | 927           | 436                                   | 75        | 8.0                     | 18              | M8                        |
| STP-01Rxx684K1800A | 0.68     | 65               | 116            | 927           | 630                                   | 70        | 7.5                     | 18              | M12                       |
| STP-01Rxx105K1800A | 1        | 65               | 116            | 927           | 927                                   | 70        | 7.0                     | 18              | M12                       |
| STP-01Rxx125K1800A | 1.2      | 65               | 116            | 927           | 1112                                  | 70        | 7.0                     | 18              | M12                       |
| STP-01Rxx155K1800A | 1.5      | 65               | 116            | 927           | 1391                                  | 70        | 7.0                     | 18              | M12                       |
| STP-01Rxx175K1800A | 1.7      | 65               | 116            | 927           | 1576                                  | 70        | 6.5                     | 18              | M12                       |
| STP-01Rxx225K1800A | 2.2      | 90               | 116            | 927           | 2039                                  | 70        | 6.5                     | 18              | M12                       |
| STP-01Rxx305K1800A | 3        | 90               | 116            | 927           | 2781                                  | 70        | 6.0                     | 18              | M12                       |
| STP-01Rxx335K1800A | 3.3      | 90               | 116            | 927           | 3059                                  | 70        | 5.5                     | 18              | M12                       |

**STP-01Rxx 2200Vac**

(x is referring the configuration)

| P/N :              | Cn<br>uF | Diameter<br>D mm | Length<br>L mm | dv/dt<br>v/us | Peak<br>Current<br>I <sub>p-p</sub> A | ESL<br>nH | ESR<br>(mohm)<br>100KHz | Max. RMS<br>70C | Configuration<br>Mounting |
|--------------------|----------|------------------|----------------|---------------|---------------------------------------|-----------|-------------------------|-----------------|---------------------------|
| STP-01Rxx104K2200A | 0.1      | 45               | 128            | 1170          | 117                                   | 75        | 10.0                    | 8               | M8                        |
| STP-01Rxx224K2200A | 0.22     | 45               | 128            | 1170          | 257                                   | 75        | 9.0                     | 15              | M8                        |
| STP-01Rxx334K2200A | 0.33     | 45               | 128            | 1170          | 386                                   | 75        | 8.5                     | 15              | M8                        |
| STP-01Rxx474K2200A | 0.47     | 45               | 128            | 1170          | 550                                   | 75        | 8.0                     | 18              | M8                        |
| STP-01Rxx684K2200A | 0.68     | 65               | 140            | 1170          | 796                                   | 70        | 7.5                     | 18              | M12                       |
| STP-01Rxx105K2200A | 1        | 65               | 140            | 1170          | 1170                                  | 70        | 7.0                     | 18              | M12                       |
| STP-01Rxx125K2200A | 1.2      | 65               | 140            | 1170          | 1404                                  | 70        | 7.0                     | 18              | M12                       |
| STP-01Rxx155K2200A | 1.5      | 90               | 140            | 1170          | 1755                                  | 70        | 7.0                     | 18              | M12                       |
| STP-01Rxx185K2200A | 1.8      | 90               | 140            | 1170          | 2106                                  | 70        | 6.5                     | 18              | M12                       |
| STP-01Rxx225K2200A | 2.2      | 90               | 140            | 1170          | 2574                                  | 70        | 6.0                     | 18              | M12                       |

For other Capacitance, Voltage, dv/dt, Peak Current and RMS Current not listed, please contact us for a suggestion.

**STP-01Rxx 3400Vac** (x is referring the configuration)

| P/N :              | Cn<br>uF | Diameter<br>D mm | Length<br>L mm | dv/dt<br>v/us | Peak<br>Current<br>I <sub>p-p</sub> A | ESL<br>nH | ESR<br>(mohm)<br>100KHz | Max. RMS<br>70C | Configuration<br>Mounting |
|--------------------|----------|------------------|----------------|---------------|---------------------------------------|-----------|-------------------------|-----------------|---------------------------|
| STP-01Rxx104K3400A | 0.1      | 45               | 128            | 2217          | 222                                   | 75        | 10.0                    | 8               | M8                        |
| STP-01Rxx224K3400A | 0.22     | 45               | 128            | 2217          | 488                                   | 75        | 9.0                     | 15              | M8                        |
| STP-01Rxx334K3400A | 0.33     | 45               | 128            | 2217          | 732                                   | 75        | 8.5                     | 15              | M8                        |
| STP-01Rxx474K3400A | 0.47     | 65               | 140            | 2217          | 1042                                  | 85        | 8.0                     | 18              | M12                       |
| STP-01Rxx684K3400A | 0.68     | 65               | 140            | 2217          | 1508                                  | 85        | 7.5                     | 18              | M12                       |
| STP-01Rxx105K3400A | 1        | 90               | 140            | 2217          | 2217                                  | 85        | 7.0                     | 18              | M12                       |
| STP-01Rxx125K3400A | 1.2      | 90               | 140            | 2217          | 2660                                  | 85        | 7.0                     | 18              | M12                       |

**STP-01Rxx 4000Vac** (x is referring the configuration)

| P/N :              | Cn<br>uF | Diameter<br>D mm | Length<br>L mm | dv/dt<br>v/us | Peak<br>Current<br>I <sub>p-p</sub> A | ESL<br>nH | ESR<br>(mohm)<br>100KHz | Max. RMS<br>70C | Configuration<br>Mounting |
|--------------------|----------|------------------|----------------|---------------|---------------------------------------|-----------|-------------------------|-----------------|---------------------------|
| STP-01Rxx104K4000A | 0.1      | 45               | 128            | 2660          | 266                                   | 75        | 11.0                    | 8               | M8                        |
| STP-01Rxx154K4000A | 0.15     | 45               | 128            | 2660          | 399                                   | 75        | 10.0                    | 12              | M8                        |
| STP-01Rxx224K4000A | 0.22     | 65               | 150            | 2400          | 528                                   | 90        | 10.0                    | 18              | M12                       |
| STP-01Rxx334K4000A | 0.33     | 65               | 150            | 2400          | 792                                   | 90        | 9.0                     | 18              | M12                       |
| STP-01Rxx474K4000A | 0.47     | 90               | 150            | 2400          | 1128                                  | 90        | 8.5                     | 18              | M12                       |
| STP-01Rxx684K4000A | 0.68     | 90               | 150            | 2400          | 1632                                  | 90        | 8.0                     | 18              | M12                       |

**STP-01Rxx 4500Vac** (x is referring the configuration)

| P/N :              | Cn<br>uF | Diameter<br>D mm | Length<br>L mm | dv/dt<br>v/us | Peak<br>Current<br>I <sub>p-p</sub> A | ESL<br>nH | ESR<br>(mohm)<br>100KHz | Max. RMS<br>70C | Configuration<br>Mounting |
|--------------------|----------|------------------|----------------|---------------|---------------------------------------|-----------|-------------------------|-----------------|---------------------------|
| STP-01Rxx104K4500A | 0.1      | 65               | 200            | 3100          | 310                                   | 120       | 15.0                    | 12              | M12                       |
| STP-01Rxx154K4500A | 0.15     | 65               | 200            | 3100          | 465                                   | 120       | 13.0                    | 18              | M12                       |
| STP-01Rxx224K4500A | 0.22     | 65               | 200            | 3100          | 682                                   | 120       | 12.0                    | 18              | M12                       |
| STP-01Rxx334K4500A | 0.33     | 65               | 200            | 3100          | 1023                                  | 120       | 11.0                    | 18              | M12                       |
| STP-01Rxx474K4500A | 0.47     | 90               | 200            | 3100          | 1457                                  | 120       | 10.0                    | 18              | M12                       |
| STP-01Rxx684K4500A | 0.68     | 90               | 200            | 3100          | 2108                                  | 120       | 10.0                    | 18              | M12                       |

**STP-01Rxx 5000Vac** (x is referring the configuration)

| P/N :              | Cn<br>uF | Diameter<br>D mm | Length<br>L mm | dv/dt<br>v/us | Peak<br>Current<br>I <sub>p-p</sub> A | ESL<br>nH | ESR<br>(mohm)<br>100KHz | Max. RMS<br>70C | Configuration<br>Mounting |
|--------------------|----------|------------------|----------------|---------------|---------------------------------------|-----------|-------------------------|-----------------|---------------------------|
| STP-01Rxx104K5000A | 0.1      | 65               | 295            | 3300          | 330                                   | 145       | 18.0                    | 18              | M12                       |
| STP-01Rxx224K5000A | 0.22     | 65               | 295            | 3300          | 726                                   | 145       | 17.0                    | 18              | M12                       |
| STP-01Rxx254K5000A | 0.25     | 65               | 295            | 3300          | 825                                   | 145       | 16.0                    | 18              | M12                       |
| STP-01Rxx334K5000A | 0.33     | 90               | 295            | 3300          | 1089                                  | 145       | 15.0                    | 18              | M12                       |
| STP-01Rxx474K5000A | 0.47     | 90               | 295            | 3300          | 1551                                  | 145       | 14.0                    | 18              | M12                       |
| STP-01Rxx684K5000A | 0.68     | 90               | 295            | 3300          | 2244                                  | 145       | 14.0                    | 18              | M12                       |

For other Capacitance, Voltage, dv/dt, Peak Current and RMS Current not listed, please contact us for a suggestion.