

**2. High Voltage AC Snubber Capacitors :**

**STP-01Rxx series**

**Applications :**

High Voltage SCR Snubber, Thyristor controlled rectifier circuits, High Current Snubber circuit, Reduce or eliminate voltage or current spikes, Harmonic Filter, Inverter, Converter, AC Filter

**Properties :**

Low Inductance, Low ESR, Excellent Frequency Response. Current Rating, High Pulse Current Ratings (dv/dt), High Voltage Capabilities, High Insulation Resistance, Flame Retardant Construction, Easy Installation

**Electrical Characteristics :** ( can be customized )

**STP-01RFT** – with a Screw Bolt and a Tab-Terminal 6.35 x 0.8mm

**STP-01RAN** – with M6 Screw Nut + Screw Thread

**STP-01RML** – with M6 Screw Thread + Mounting M8 / M12 Screw Thread

**STP-01RMLL** – with M6 Screw Thread + Mounting M8 / M12 Screw Thread

**Capacitance range :** 0.1uF – 6uF

**Rated Voltage :** 1000Vac – 5000Vac

**Peak Current :** up to 5500App

**Ripple RMS Current :** 7A - 18A

**Testing Voltage Terminal to Terminal :** Rated Voltage x 1.5UN  
10s

**Testing Voltage Terminal to Case :** 5,000Vac 10s 50Hz +23C

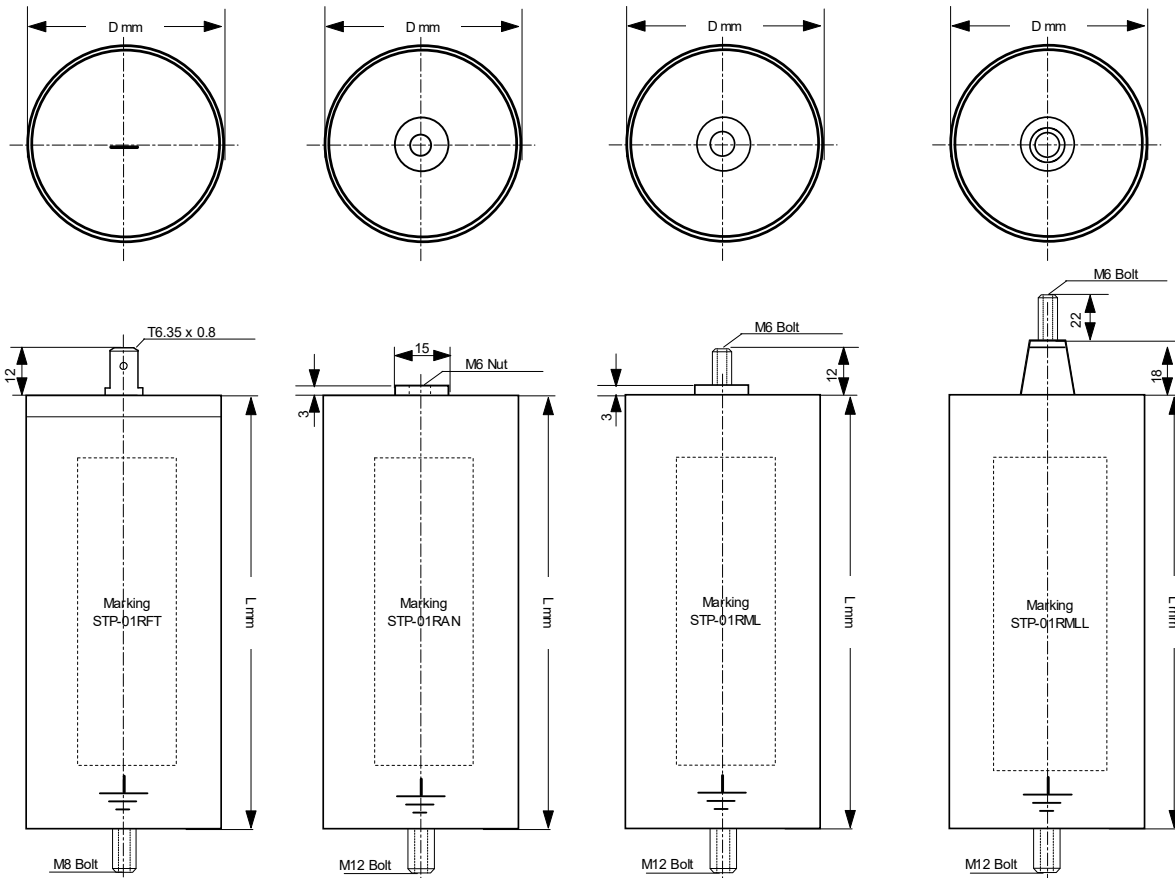
**Insulation Resistance :** 250Vdc +23C >= 50,000Mohm

**Reference Standard :** IEC61071

**Operate Temperature :** +70C

Ultra-Low Leakage version is available on request

Our capacitors can be customized according to the customer's requirement



**Specifications and Size :**

**STP-01Rxx 1000Vac**

(x is referring the configuration)

P/N :	Cn uF	Diameter D mm	Length L mm	dv/dt v/us	Peak Current I <sub>p-p</sub> A	ESL nH	ESR (mohm) 100KHz	Max. Irms 70C	Configuration Mounting
STP-01xx474K1000A	0.47	40	73	1190	559	30	10.0	10	M8
STP-01xx684K1000A	0.68	45	73	1190	809	30	9.5	18	M8
STP-01xx105K1000A	1	65	118	1014	1014	35	9.0	18	M12
STP-01xx125K1000A	1.2	65	118	1014	1217	35	8.5	18	M12
STP-01xx155K1000A	1.5	65	118	1014	1521	35	8.1	18	M12
STP-01xx205K1000A	2	65	118	1014	2028	35	7.7	18	M12
STP-01xx255K1000A	2.5	65	250	507	1268	75	12.0	18	M12
STP-01xx305K1000A	3	65	250	507	1521	75	11.0	18	M12
STP-01xx405K1000A	4	65	250	507	2028	75	10.0	18	M12
STP-01xx505K1000A	5	90	250	507	2535	75	10.0	18	M12
STP-01xx605K1000A	6	90	250	507	3042	75	9.0	18	M12

**STP-01Rxx 1400Vac**

(x is referring the configuration)

P/N :	Cn uF	Diameter D mm	Length L mm	dv/dt v/us	Peak Current I <sub>p-p</sub> A	ESL nH	ESR (mohm) 100KHz	Max. Irms 70C	Configuration Mounting
STP-01xx224K1400A	0.22	45	128	806	177	40	15.0	45	M8
STP-01xx334K1400A	0.33	45	128	806	266	40	13.0	45	M8
STP-01xx474K1400A	0.47	45	128	1014	477	40	12.0	45	M8
STP-01xx684K1400A	0.68	45	128	1014	690	40	11.0	45	M8
STP-01xx105K1400A	1	65	118	1014	1014	35	10.0	65	M12
STP-01xx125K1400A	1.2	65	118	1014	1217	35	9.3	65	M12
STP-01xx155K1400A	1.5	65	118	1014	1521	35	8.2	65	M12
STP-01xx205K1400A	2	65	118	1014	2028	35	7.3	65	M12
STP-01xx305K1400A	3	65	250	507	1521	75	11.0	65	M12
STP-01xx405K1400A	4	65	250	507	2028	75	10.0	65	M12
STP-01xx505K1400A	5	65	250	507	2535	75	10.0	65	M12
STP-01xx605K1400A	6	65	250	507	3042	75	9.0	65	M12

**STP-01Rxx 1800Vac**

(x is referring the configuration)

P/N :	Cn uF	Diameter D mm	Length L mm	dv/dt v/us	Peak Current I <sub>p-p</sub> A	ESL nH	ESR (mohm) 100KHz	Max. Irms 70C	Configuration Mounting
STP-01xx224K1800A	0.22	45	128	960	211	40	15.0	10	M8
STP-01xx334K1800A	0.33	45	128	960	317	40	13.0	12	M8
STP-01xx474K1800A	0.47	65	118	2253	1059	35	12.0	18	M12
STP-01xx684K1800A	0.68	65	118	2253	1532	35	9.0	18	M12
STP-01xx105K1800A	1	65	250	1126	1126	75	12.0	18	M12
STP-01xx155K1800A	1.5	65	250	1126	1689	75	12.0	18	M12
STP-01xx205K1800A	2	90	250	1126	2252	75	10.0	18	M12
STP-01xx225K1800A	2.2	90	250	1126	2477	75	10.0	18	M12

**STP-01Rxx 2200Vac**

(x is referring the configuration)

P/N :	Cn uF	Diameter D mm	Length L mm	dv/dt v/us	Peak Current I <sub>p-p</sub> A	ESL nH	ESR (mohm) 100KHz	Max. Irms 70C	Configuration Mounting
STP-01xx224K2200A	0.22	45	128	1017	224	40	15.0	12	M8
STP-01xx334K2200A	0.33	45	128	1017	336	40	13.0	12	M8
STP-01xx474K2200A	0.47	65	118	2253	1059	35	11.0	18	M12
STP-01xx684K2200A	0.68	65	118	2253	1532	35	9.0	18	M12
STP-01xx105K2200A	1	65	140	2253	2253	45	8.0	18	M12
STP-01xx125K2200A	1.2	65	140	2253	2704	45	7.5	18	M12
STP-01xx155K2200A	1.5	90	140	2253	3380	45	7.1	18	M12
STP-01xx205K2200A	2	90	140	2253	4506	45	6.7	18	M12
STP-01xx225K2200A	2.2	90	140	2253	4957	45	6.1	18	M12
STP-01xx305K2200A	3	90	250	1260	3780	75	12.0	18	M12
STP-01xx405K2200A	4	90	250	1260	5040	75	12.0	18	M12

For other Capacitance, Voltage, dv/dt, Peak Current and RMS Current not listed, please contact us for a suggestion.

**STP-01Rxx 3400Vac**

(x is referring the configuration)

P/N :	Cn uF	Diameter D mm	Length L mm	dv/dt v/us	Peak Current I <sub>p-p</sub> A	ESL nH	ESR (mohm) 100KHz	Max. Irms 70C	Configuration Mounting
STP-01xx104K3400A	0.1	45	128	1017	224	40	15.0	12	M8
STP-01xx154K3400A	0.15	45	128	1017	336	40	15.0	12	M8
STP-01xx224K3400A	0.22	65	118	2253	1059	35	15.0	18	M12
STP-01xx334K3400A	0.33	65	118	2253	1532	35	13.0	18	M12
STP-01xx474K3400A	0.47	65	140	2253	2253	45	11.0	18	M12
STP-01xx684K3400A	0.68	65	140	2253	2704	45	9.0	18	M12
STP-01xx105K3400A	1	90	140	2253	3380	45	12.0	18	M12
STP-01xx125K3400A	1.2	90	140	2253	4506	45	12.0	18	M12
STP-01xx155K3400A	1.5	90	140	2253	4957	45	12.0	18	M12

**STP-01Rxx 4500Vac**

(x is referring the configuration)

P/N :	Cn uF	Diameter D mm	Length L mm	dv/dt v/us	Peak Current I <sub>p-p</sub> A	ESL nH	ESR (mohm) 100KHz	Max. Irms 70C	Configuration Mounting
STP-01xx104K4500A	0.1	65	250	2828	283	75	15.0	18	M8
STP-01xx124K4500A	0.12	65	250	2828	339	75	15.0	18	M8
STP-01xx154K4500A	0.15	65	250	2828	424	75	15.0	18	M12
STP-01xx224K4500A	0.22	90	250	2828	622	75	13.0	18	M12
STP-01xx254K4500A	0.25	90	250	2828	707	75	13.0	18	M12
STP-01xx334K4500A	0.33	90	250	2828	933	75	12.0	18	M12

**STP-01Rxx 5000Vac**

(x is referring the configuration)

P/N :	Cn uF	Diameter D mm	Length L mm	dv/dt v/us	Peak Current I <sub>p-p</sub> A	ESL nH	ESR (mohm) 100KHz	Max. Irms 70C	Configuration Mounting
STP-01xx104K5200A	0.1	65	250	3030	303	75	16.0	18	M8
STP-01xx124K5200A	0.12	65	250	3030	364	75	16.0	18	M8
STP-01xx154K5200A	0.15	65	250	3030	455	75	16.0	18	M12
STP-01xx224K5200A	0.22	90	250	3030	667	75	15.0	18	M12
STP-01xx254K5200A	0.25	90	250	3030	758	75	15.0	18	M12
STP-01xx334K5200A	0.33	90	250	3030	1000	75	13.0	18	M12

For other Capacitance, Voltage, dv/dt, Peak Current and RMS Current not listed, please contact us for a suggestion.